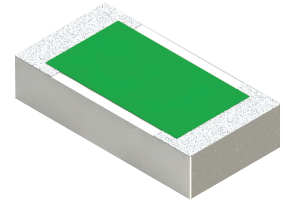


## RP1206ZZ-XXXXJN-98 Features:

- Wraparound Terminals
- Solder Attachment
- Customer Defined Testing Available
- RoHS Compliant Available
- Tape & Reel or Waffle Pack Available (Standard is bulk)
- 5% Resistor Tolerance

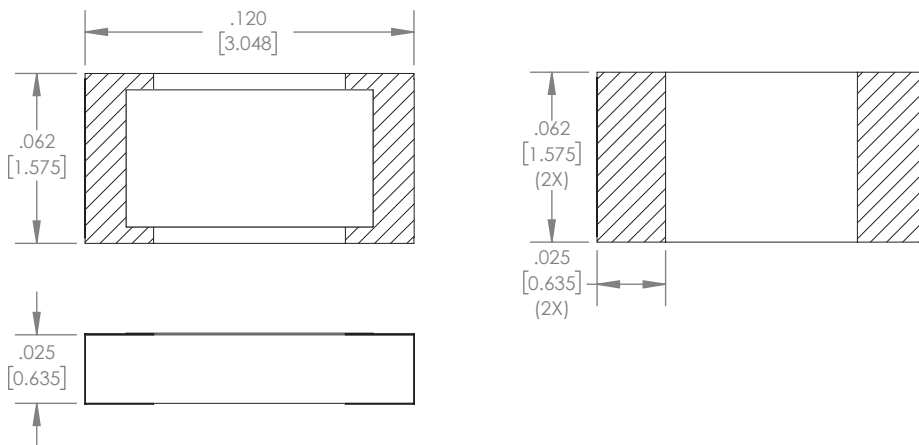


## RP1206ZZ-XXXXJN-98 Parameters:

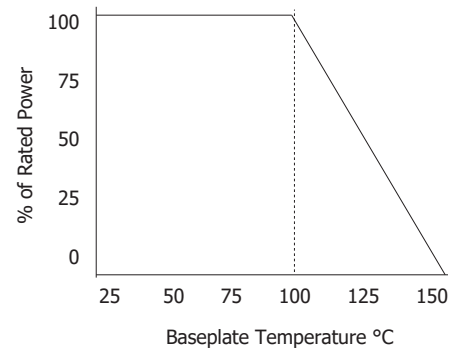
Resistance Range:	0.5Ω - 1MΩ
Rated Power:	10W*
Construction:	Thick Film on BeO
Operating Temperature:	-55 to +150°C

\* Rating based on ≤100°C constant baseplate temperature

## RP1206ZZ-XXXXJN-98 Dimensions:



## RP1206ZZ-XXXXJN-98 Power Derating Curve



Dimensions in inches [mm]  
Tolerance is ± 0.005 [0.127]  
unless otherwise stated

## Ordering Information:

RP	1206	ZZ	-	XXXX	J	N	-	98	UU
Prefix for Wraparound Resistor									
Size	1206								
				Value Code Examples					
				10R0 - 10Ω	1002 - 10KΩ				
				1000 - 100Ω	1003 - 100KΩ				
				1001 - 1KΩ	1004 - 1MΩ				
					Tolerance				
					J - 5%				
						Normal Inspection			
						Contact factory for additional options			
							Substrate		
							98 - 0.025" BeO		
								Packaging	
								Blank - Bulk	
								TR - Tape and Reel	
								WP - Waffle Pack	
Terminal Metallization									
CB -	Sn62 over Nickel over Silver				RoHS	Magnetic	Solder	Epoxy	Wirebond
CC -	100% Matte Tin over Copper over Silver				No	Yes	Yes	No	No
CT -	100% Matte Tin over Nickel over Silver				Yes	No	Yes	No	No
					Yes	Yes	Yes	No	No

Barry Industries reserves the right to change part number and/or process without notification.

**RP1206ZZ-XXXXJN-98 Reliability Specifications:**

Parameter:	Test Condition:	Results:
Short Time Overload	Apply 1.1x Rated Power for 5 Seconds.	≤ 5.0% Resistance Shift
Rated Load Life	Apply 1/2 Power Under 40°C ±2°C 90 Minutes on/ 30 Minutes off. Repeat for 100 hours	≤ 5.0% Resistance Shift
Moisture Resistance	MIL-PRF-55342 para 4.8.9 95% RH, 25°C - 65°C	≤ 5.0% Resistance Shift
Resistance to Soldering Heat	MIL-STD-202 Method 210 and MIL-PRF-55342 Para 4.8.8.1	≤ 5.0% Resistance Shift
Resistance to Bonding Exposure	MIL-PRF-55342 Para 4.8.8.2	≤ 5.0% Resistance Shift
Solderability	MIL-PRF-55342 Para 4.8.12	>95% Covered
High Temperature Storage	125°C ±2°C for 500 Hours	1.) ≤ 5.0% Resistance Shift 2.) No Significant Abnormality (Visual)
Thermal Shock	-65°C to +150°C 30 Minutes Dwell, 5 Cycles	1.) ≤ 5.0% Resistance Shift 2.) No Significant Abnormality (Visual)

Barry Industries reserves the right to change part number and/or process without notification.